

SIMPLY RAIL SYSTEM ALLROUND



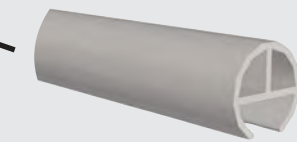
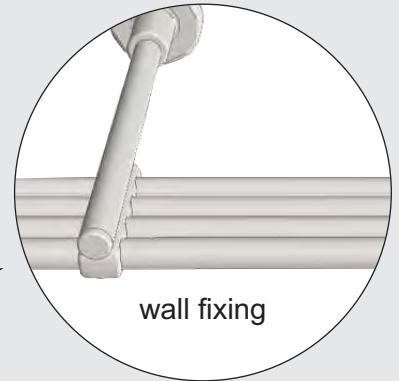
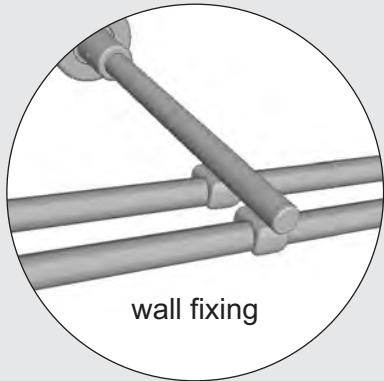
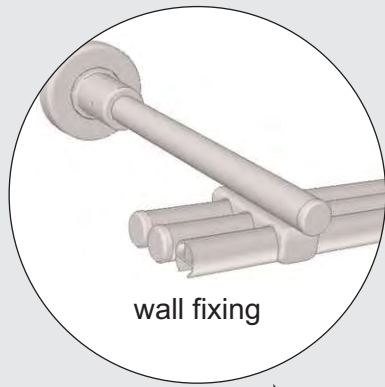
EXTREMELY STABLE
BY THE COMBINATION
OF HIGHTECH - PLASTIC
AND ALUMINIUM

- for cabins
- for room partitions
- for window decorations
- for roof pitches
- for deep window sills









alu-rod $\text{\O} 16$ mm with
inner run 6 mm

